

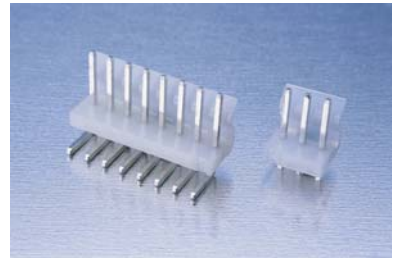
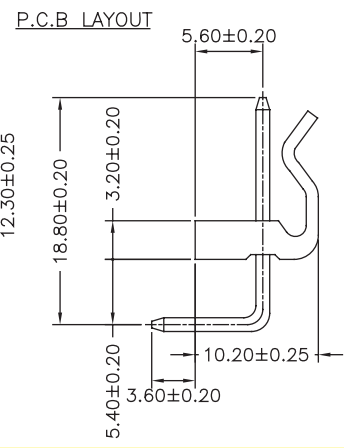
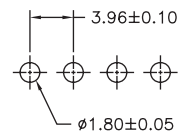
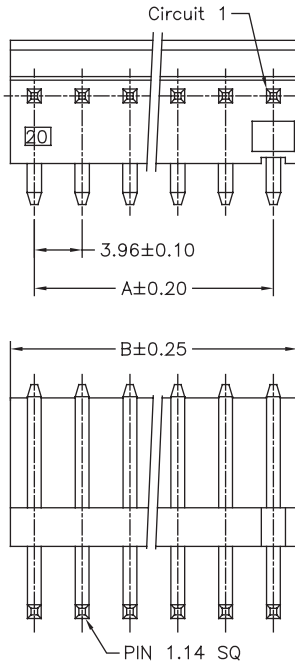


CONNECTORS MANUFACTURE

3.96mm WAFER RIGHT ANGLE / STRAIGHT TYPE

SPECIFICATIONS
 Current Rating: 5A AC,DC
 Voltage Rating: 250V AC,DC
 Temperature Range: -25°C ~ +85°C
 Contact Resistance: 10mΩ Max
 Insulation Resistance: 1000MΩ Min
 Withstanding Voltage: 1500V AC/minute
 Pin Material: Brass/Tin-plated
 Material: Nylon 66,UL94V-2
 Color: Natural(Translucent)

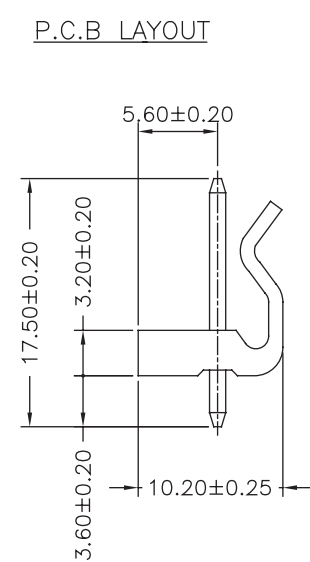
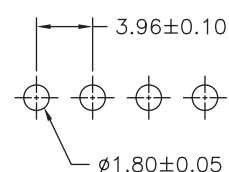
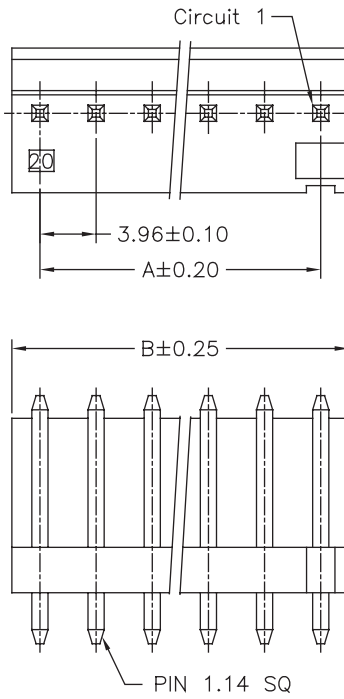
PART NO.	Dimensions	
	A	B
3691RA-02TW-L	3.96	7.92
3691RA-03TW-L	7.92	11.88
3691RA-04TW-L	11.88	15.84
3691RA-05TW-L	15.84	19.80
3691RA-06TW-L	19.80	23.76
3691RA-07TW-L	23.76	27.72
3691RA-08TW-L	27.72	31.68
3691RA-09TW-L	31.68	35.64
3691RA-10TW-L	35.64	39.60
3691RA-11TW-L	39.60	43.56
3691RA-12TW-L	43.56	47.52
3691RA-13TW-L	47.52	51.48
3691RA-14TW-L	51.48	55.44
3691RA-15TW-L	55.44	59.40
3691RA-16TW-L	59.40	63.36
3691RA-17TW-L	63.36	67.32
3691RA-18TW-L	67.32	71.28
3691RA-19TW-L	71.28	75.24
3691RA-20TW-L	75.24	79.20



Part No.:3961RA-XXTW-L

SPECIFICATIONS
 Current Rating: 5A AC,DC
 Voltage Rating: 250V AC,DC
 Temperature Range: -25°C ~ +85°C
 Contact Resistance: 10mΩ Max
 Insulation Resistance: 1000MΩ Min
 Withstanding Voltage: 1500V AC/minute
 Pin Material: Brass/Tin-plated
 Material: Nylon 66,UL94V-2
 Color: Natural(Translucent)

PART NO.	Dimensions	
	A	B
3691SA-02TW-L	3.96	7.92
3691SA-03TW-L	7.92	11.88
3691SA-04TW-L	11.88	15.84
3691SA-05TW-L	15.84	19.80
3691SA-06TW-L	19.80	23.76
3691SA-07TW-L	23.76	27.72
3691SA-08TW-L	27.72	31.68
3691SA-09TW-L	31.68	35.64
3691SA-10TW-L	35.64	39.60
3691SA-11TW-L	39.60	43.56
3691SA-12TW-L	43.56	47.52
3691SA-13TW-L	47.52	51.48
3691SA-14TW-L	51.48	55.44
3691SA-15TW-L	55.44	59.40
3691SA-16TW-L	59.40	63.36
3691SA-17TW-L	63.36	67.32
3691SA-18TW-L	67.32	71.28
3691SA-19TW-L	71.28	75.24
3691SA-20TW-L	75.24	79.20



Part No.:3961SA-XXTW-L

Housing Wafer Terminal



AMTEK CONNECTOR MANUFACTURE